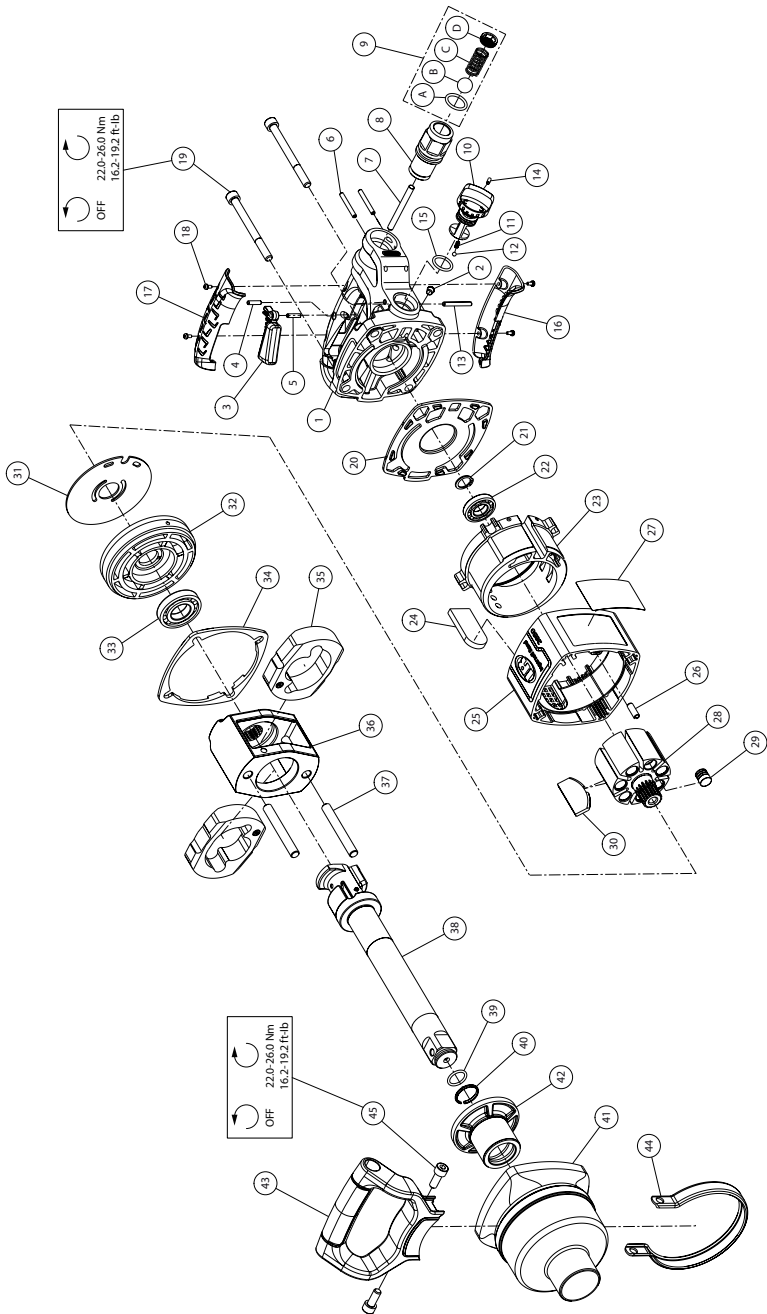


2850MAX Series Air Impact Wrench - Exploded View



(Dwg. 2850MAX-6)



47582173001
Edition 4
September 2021

2850MAX Series Air Impact Wrench - Parts List

Item	Part Description	Part Number (CCN)	Item	Part Description	Part Number (CCN)
*	Handle Assembly	2850-A92 (47584525001)	34	Gasket, Hammer Case	2850-36RD (47550664001)
1	Handle	--	35	Hammer (2 Required)	2850-724 (47538629001)
2	Grease, Fitting	1305R-188 (03039930)	*	Hammer Mechanism Kit	2850-THK1 (47584530001)
*	Plunger Bushing	--	36	Hammer Frame	--
*	Reverse Valve Bushing	--	37	Hammer Pin (2 Required)	2850-704 (47538727001)
3	Trigger	2850-93RD (47560377001)	*	Anvil Assembly (38, 39, 40)	--
4	Pin, Straight	2850-437 (47562817001)	*	For Model 2850MAX	2850-A626 (47556347001)
5	Pin, Straight	2850-437 (47562817001)	*	For Model 2850MAX-6	2850-A626-6 (47556346001)
6	Spring Pin, 4 X 35 (2 Required)	2850-120 (47557576001)	38	Anvil	--
7	Throttle Valve Plunger	631L-302A (45766748)	*	Socket Retaining Kit	2155-K425 (47118120)
*	Inlet Bushing Assembly	2850-D565 (47560034001)	39	O-Ring	--
8	Inlet Bushing	--	40	Socket Retaining Spring	--
9	Inlet Parts Kit	2850-K303 (47599536001)	*	Hammer Case, Assembly	--
9A	O-Ring, Inlet	--	*	For Model 2850MAX	2850-D727 (47542637001)
9B	Throttle Valve (Ball)	--	41	Hammer Case	--
9C	Throttle Valve Spring	--	42	Bushing, Hammer Case	2850-641 (47576494001)
9D	Inlet Screen (Insert)	--	*	For Model 2850MAX-6	2850-6-D727 (47548772001)
*	Reverse Valve Assembly	2850-A329 (47554084001)	41	Hammer Case	--
10	Reverse Valve	--	42	Bushing, Hammer Case	2850-6-641 (47545350001)
11	Spring	--	*	Auxiliary Handle Kit	2850-K48 (47584532001)
12	Ball	--	43	Auxiliary Handle	--
13	Spring Pin, 4 X 35	--	44	Strap, Auxiliary Handle	--
14	Stop Pin	--	45	Socket Head Cap Screw, M8 X 20 (QTY of 2)	--
15	O-Ring, Reverse Valve	--	*	Tune-Up Kit:	2850MAX-TK1 (47584534001)
*	Handle Grip Kit	2850MAX-K747 (47584527001)	9	Inlet Parts Kit	--
16	Grip, Right Hand	--	13	Spring Pin, 4 X 35 (QTY of 3)	--
17	Grip, Left Hand	--	15	O-Ring, Reverse Valve	--
18	Screw, M3 X 6 (QTY of 4)	--	20	Gasket, Handle	--
19	Screw, Hammer Case, M8 X 90 (4 Required)	2850-638 (47549665001)	21	Retaining Ring	--
20	Gasket, Handle	2850-283 (47555862001)	22	Ball Bearing, Cylinder	--
21	Retaining Ring	2850-6 (47555059001)	24	Diffuser, Exhaust	--
22	Ball Bearing, Cylinder	4E-510 (03080009)	26	Cylinder Dowel	--
23	Cylinder	2850-3 (47541435001)	30	Vane Pack (Set of 7)	--
24	Diffuser, Exhaust	2850-123 (47575407001)	33	Ball Bearing, End Plate	--
*	Housing Assembly	2850MAX-A40 (47584528001)	34	Gasket, Hammer Case	--
25	Housing	--	*	Socket Retaining Kit	--
26	Cylinder Dowel	285B-98 (16571606)	*	Air Care Kit (grease gun, grease, oil)	105-LBK1 --
27	Nameplate/Warning Label	--	*	Air Tool Oil (4 oz. Bottle)	10Z4 --
*	For Model 2850MAX	2850MAX-301 (47586179001)	*	Air Tool Oil (1 Pint Bottle)	10P --
*	For Model 2850MAX-6	2850MAX-6-301 (47575584001)	*	Premium Impact Grease (1 Lb Can)	105-1LB --
*	Rotor Assembly	2850-A53 (47584529001)	*	Premium Impact Grease (8 Lb Can)	105-8LB --
28	Rotor	--	*	Grease Gun	R000A2-228 --
29	Rotor Plug (14 Required)	2850-229 (47549666001)			
30	Vane Pack (Set of 7)	2850-A42-7 (47588290001)			
31	Wear Plate	2850-11X (47539995001)			
32	End Plate, Front	2850-11 (47542198001)			
33	Ball Bearing, End Plate	834-24 (03065588)			

* Indicates not illustrated.

Parts and Maintenance

When tool life has expired, it is recommended that the tool be disassembled, degreased and parts separated by material for proper recycling.

Tool repair and maintenance should only be carried out by an authorized Service Center.

Refer all communications to the nearest **Ingersoll Rand** office or distributor.

Related Documentation

Manuals can be downloaded from ingersollrand.com

For additional information, refer to:

Product Safety Information Manual 04580916.

Product Information Manual 47582172001.

Declaration of Conformity 47631658001.

