



**15301872**  
Edition 1  
March 2009

# Piggyback Assembly

**1500 Series**

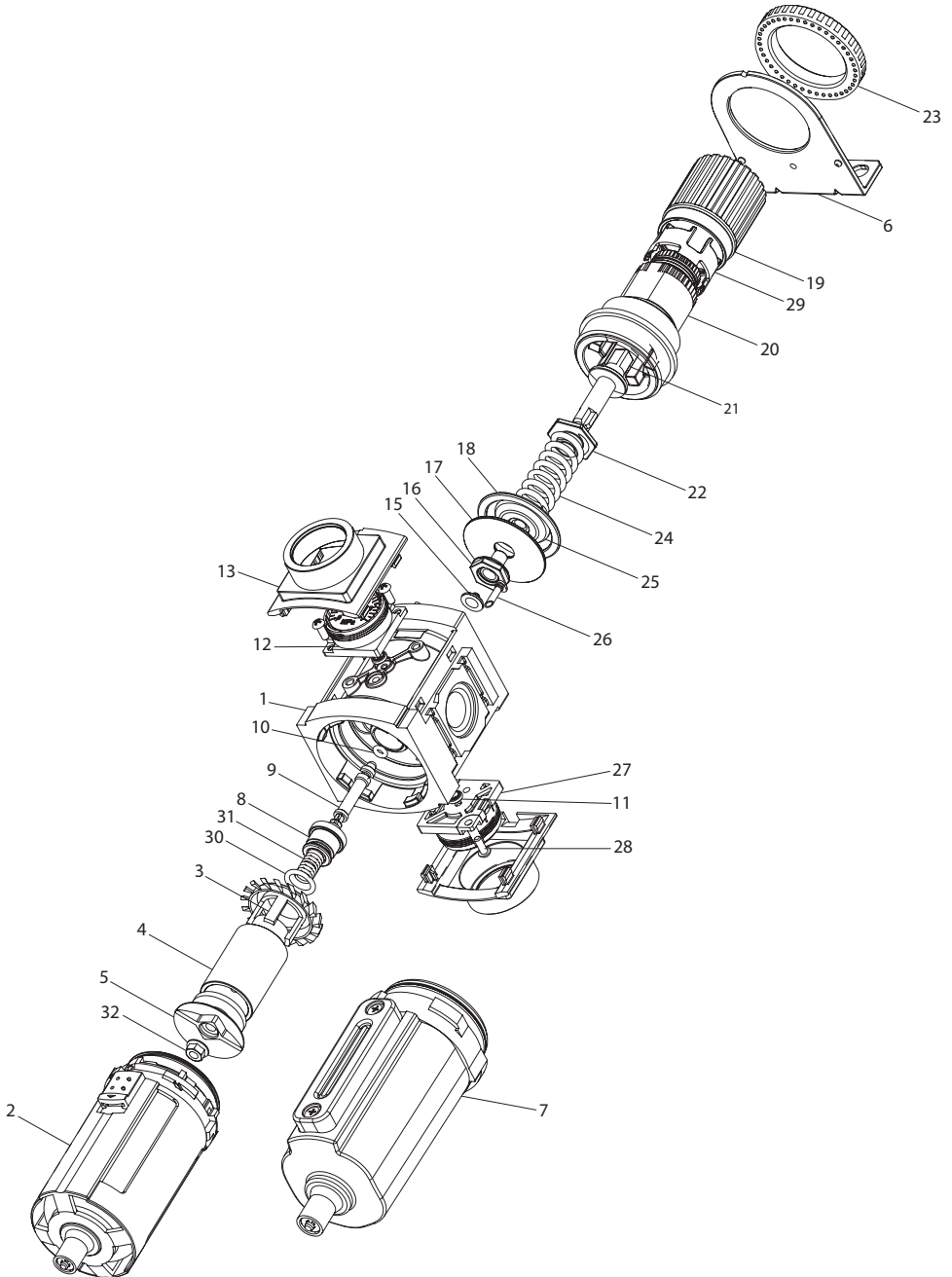
---

## Parts Information



Save These Instructions

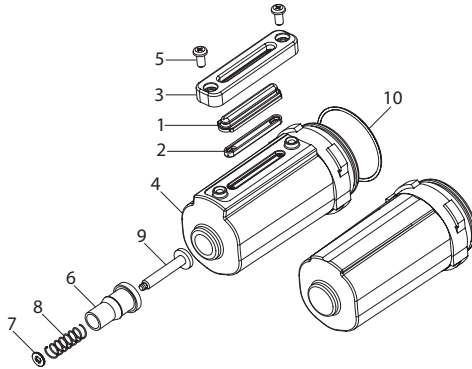
**Piggyback Assembly 1500 Series P392XX-XXX Exploded Diagram**



(Dwg. 15321946)



## Metal Bowl Assembly 1500 Series P392XX-XXX Exploded Diagram



(Dwg. 15321979)

### Metal Bowl Assembly 1500 Series P392XX-XXX Parts List

Item	Part Description	Material	Part Number
1	Sight Glass (P392XX-X1X)	Nylon	---
2	Sight Glass Gasket (P392XX-X1X)	Nitrile	---
3	Plate Cover (P392XX-X1X)	Aluminum	---
4	Metal Bowl (Includes Item 10 and Drain) (Sight Glass Styles includes Items 1, 2, 3, 5)	Aluminum	---
	Manual Drain with Sight Glass (P392XX-X10)		
	Manual Drain w/o Sight Glass (P392XX-X20)		
	Auto Drain with Sight Glass (P392XX-X14)		
	Auto Drain w/o Sight Glass (P392XX-X24)		104482
5	Bolt (P392XX-X1X)	Steel	---
6	Drain Housing (Manual Drain) (P392XX-XX0)	Nitrile	104421
7	Stopper (Manual Drain) (P392XX-XX0)	Stainless Steel	
8	Drain Spring (Manual Drain) (P392XX-XX0)		
9	Drain Stem (Manual Drain) (P392XX-XX0)		
10	Bowl "O" Ring	Nitrile	104429 *
	Auto Drain (P392XX-XX4)	---	104420

\* Kit 104429 includes Manual Drain.

### Parts and Maintenance

When the life of the tool has expired, it is recommended that the tool be disassembled, degreased and parts be separated by material so that they can be recycled.

Tool repair and maintenance should only be carried out by an authorized Service Center.

Refer all communications to the nearest **Ingersoll Rand** Office or Distributor.

### Related Documentation

For additional information refer to:

Safety Information Manual 15301765.

Product Information Manual 15301773.

Maintenance Information Manual 15301781.

Part No. 100400-64

**fluids.ingersollrand.com**

© 2009 **Ingersoll Rand** Company

**IR** **Ingersoll Rand**